

SENSOR DIMENSIONS

FIBER-OPTIC SENSORS

1 SENSOR DIMENSIONS

All dimensions stated for the following sensors are valid for all available versions of the respective oxygen sensors: full range and trace range versions, high speed and ultra-high speed versions (options **-HS** & **-UHS**), as well as optically isolated sensors (option **-OI**).

1.1 Dimensions of robust probes and robust screw cap probes

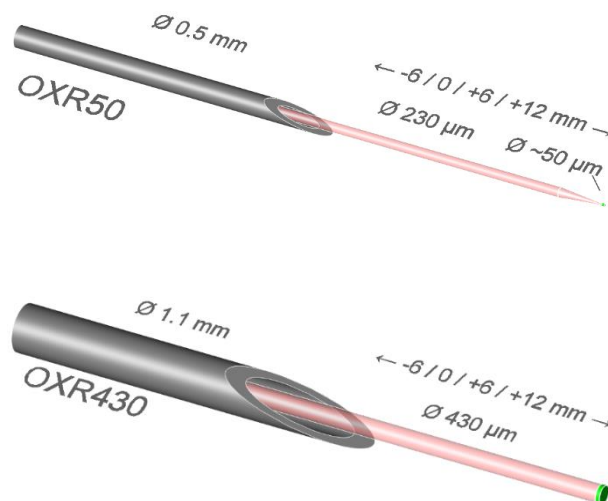
| Sensor Dimensions | OXROB3/10 | OXROBSC / TPROBSC | OXROBGSC |
|----------------------------|-------------|----------------------|-------------------|
| Sensor Dimensions | | | |
| Length without cable (ca.) | 30 / 100 mm | 100 mm | 100 mm |
| Shaft diameter (ca.) | 3 mm | 3 -4 mm (tapered) | 3 -4 mm (tapered) |
| Tip Diameter (ca.) | 4 mm | 4 mm | 4 mm |
| Cable length (ca.) | 2 or 4 m | 2 m | 5, 10 or 20 m |

1.2 Dimensions of Retractable Needle-type Sensors (OXR50 & OXR430; TPR430)

| Sensor Dimensions | OXR50 | OXR430 / TPR430 |
|--|--|--|
| Sensor Dimensions Length without cable (ca.) Shaft diameter (ca.) | 230 mm 8 mm | 230 mm 8 mm |
| Needle Dimensions Length Diameter | 40 mm 0.5 mm | 40 mm 1.1 mm mm |
| Fiber and Sensor Tip Fiber diameter Tip diameter (ca.) Sensor tip position (rel. to needle, ca.) | 230 μ m 50-70 μ m -6/0/+6/+12 mm | 430 μ m 430 μ m -6/0/+6/+12 mm |
| Cable length (ca.) | 2 m or 4 m (custom versions up to 20 m) | |

Tip Geometries

True to scale drawings with syringe needle (grey), optical fiber (pink) and oxygen-sensitive REDFLASH indicator (green).

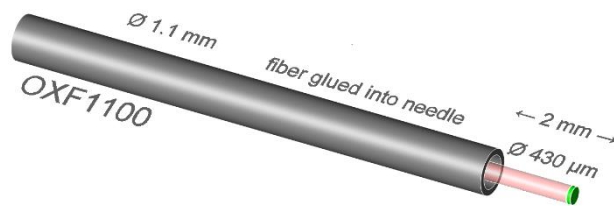


1.3 Dimensions of Fixed Needle-type Sensors (OXF50, OXF1100; TPF1100)

| Sensor Dimensions | OXF50 / TPF1100 | OXF1100 |
|--|--|--|
| Sensor Dimensions Length without cable (ca.) Shaft diameter (ca.) | 190 mm 8 mm | 190 mm 8 mm |
| Needle Dimensions Length Diameter | 40 mm 0.5 mm | 40 mm 1.2 mm |
| Fiber and Sensor Tip Fiber diameter Tip diameter (ca.) Sensor tip position (rel. to needle, ca.) | 230 μm 50-70 μm ca. 6 mm | 430 μm 430 μm ca. 2-3 mm |
| Cable length (ca.) | 2 m or 4 m (custom versions up to 20 m) | |

Tip Geometries (exemplary)

True to scale drawings with syringe needle (grey), optical fiber (pink) and oxygen-sensitive REDFLASH indicator (green).

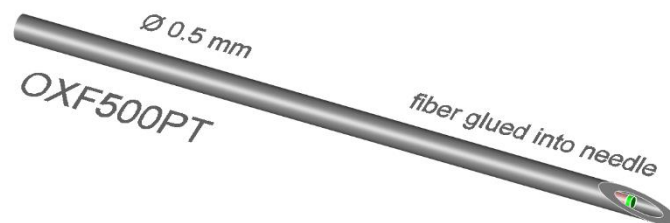


1.4 Dimensions of Fixed Needle-type Sensors with protected tip (OXF500PT & OXF900PT)

| Sensor Dimensions | OXF500PT | OXF900PT |
|---|---|--------------------------|
| Sensor Dimensions Length without cable (ca.) Shaft diameter (ca.) | 190 mm 8 mm | 190 mm 8 mm |
| Needle Dimensions Length Diameter | 40 mm 0.5 mm | 40 mm 0.9 mm |
| Fiber and Sensor Tip Fiber diameter Tip diameter (ca.) Sensor tip position (rel. to needle) | 230 µm 230 µm 0 mm | 230 µm 230 µm 0 mm |
| Cable length (ca.) | 2 m or 4 m (custom versions up to 20 m) | |

Tip Geometries (exemplary)

True to scale drawings with syringe needle (grey), optical fiber (pink) and oxygen-sensitive REDFLASH indicator (green).

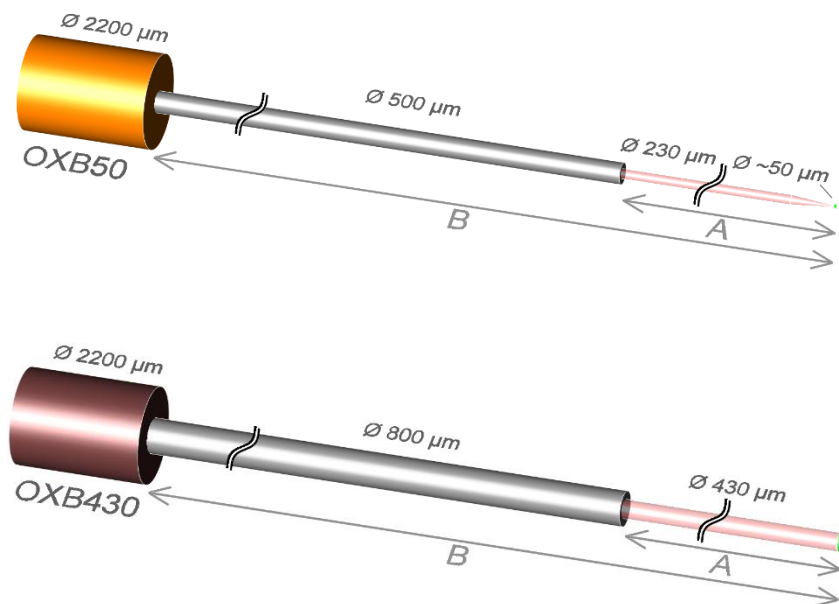


1.5 Dimensions of Bare Fiber Sensors (OXB50, OXB430; TPB430)

| Sensor Dimensions | OXB50 | OXB430 / TPB430 |
|-----------------------------|--|-------------------|
| Fiber and Sensor Tip | | |
| Fiber diameter | 230 μm | 430 μm |
| Tip diameter (ca.) | 50-70 μm | 430 μm |
| Tip geometry | see image below | |
| Stripping length | A = 20mm, B = 100mm (other stripping lengths optional on request: A= 5-30 mm, B= 20-500 mm (B +/- 5 mm)) | |
| Cable length (ca.) | 2 m or 4 m (custom versions up to 20 m) | |

Tip Geometries

True to scale drawings with outer jacket (orange), plastic coating (grey), optical fiber (pink) and oxygen-sensitive REDFLASH indicator (green).



1.6 Dimensions of Solvent-Resistant Probes (OXSOVLV & OXSOLV-PTS)

| Sensor Dimensions | OXSOVLV | OXSOLV-PTS |
|--|---|-----------------|
| Sensor Dimensions Length without cable (ca.) Shaft diameter (ca.) | 300 mm 8 mm | 190 mm 8 mm |
| Needle Dimensions Length Diameter | 150 mm 1.5 mm | 40 mm 1.5 mm |
| Fiber and Sensor Tip Fiber diameter Sensor tip position (rel. to needle, ca.) | 3 mm 2 mm | 3 mm 0 mm |
| Cable length (ca.) | 2 m or 4 m (custom versions up to 20 m) | |

Contact

PyroScience GmbH
 Kackertstraße 11
 52072 Aachen
 Deutschland

Tel.: +49 (0)241 5183 2210
 Fax: +49 (0)241 5183 2299
info@pyroscience.com
www.pyroscience.com